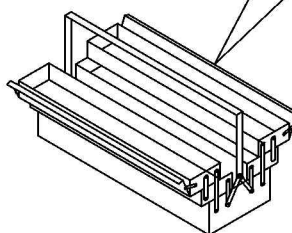
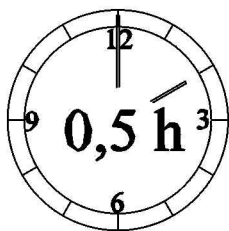
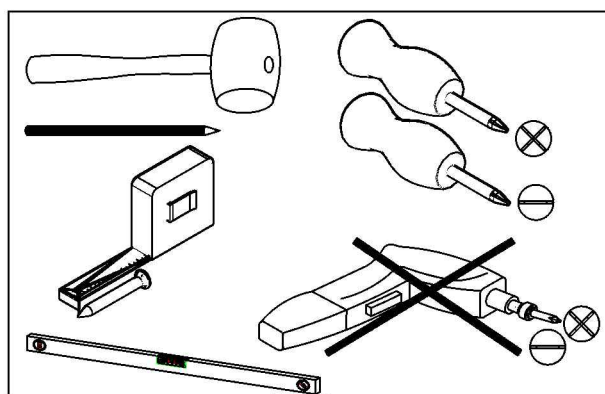
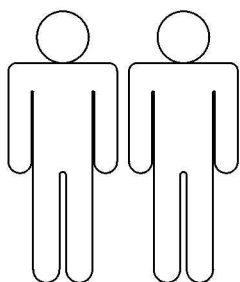
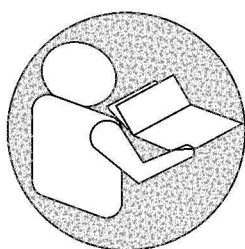
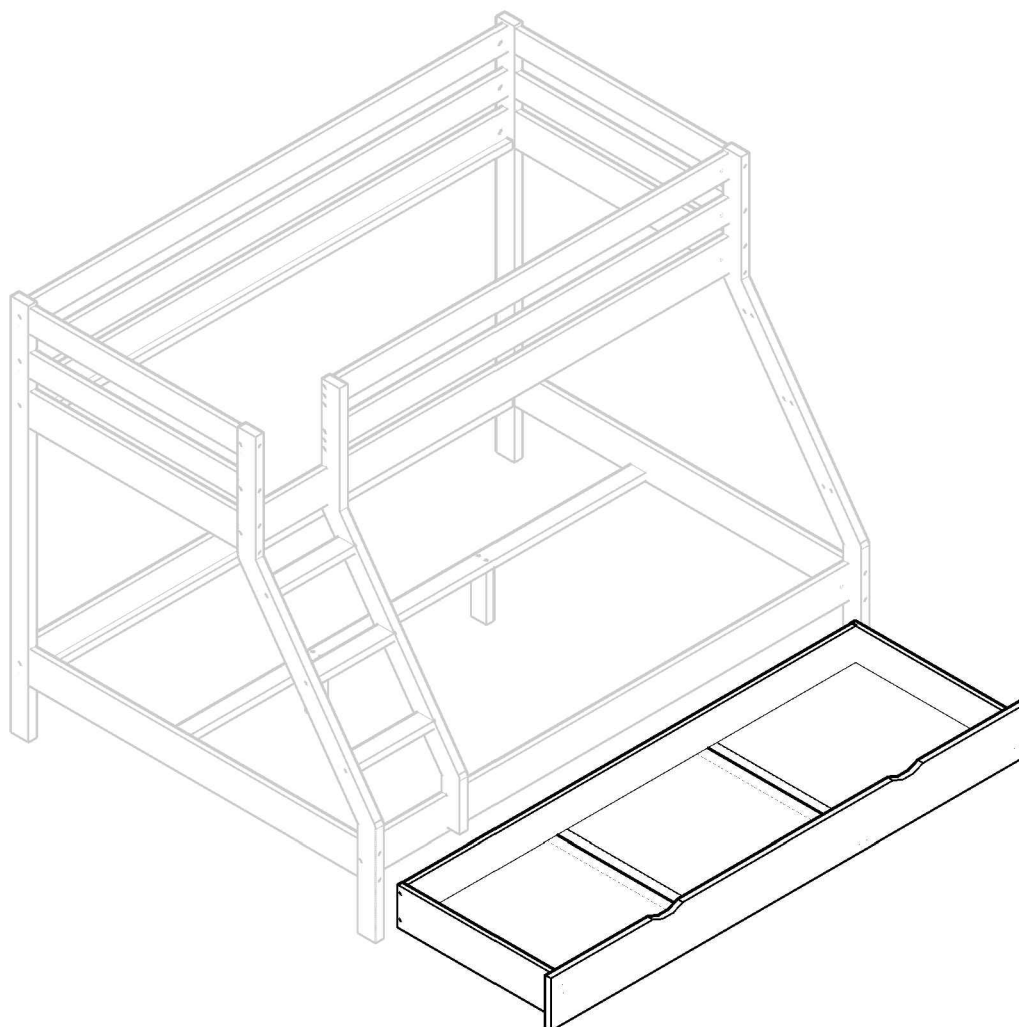
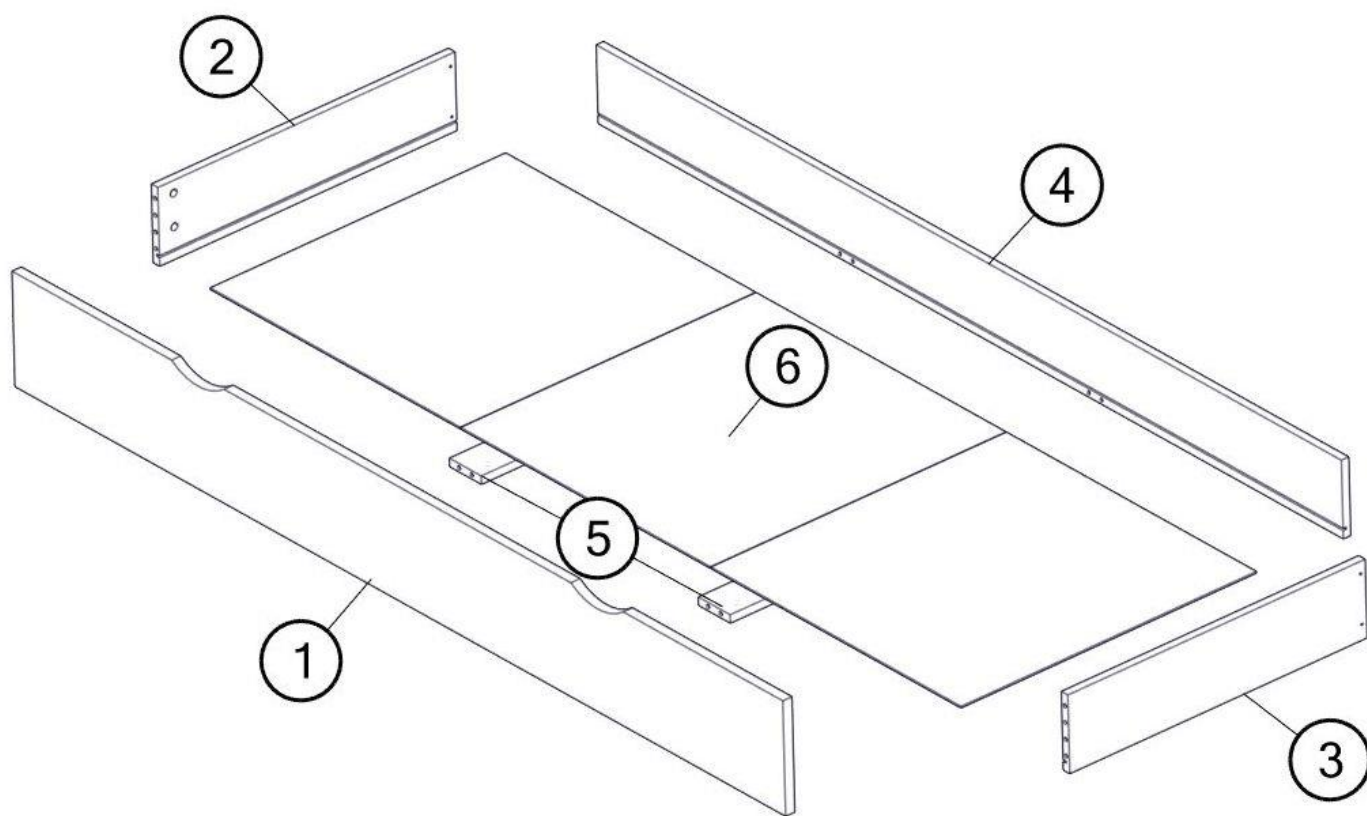






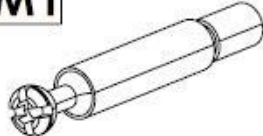

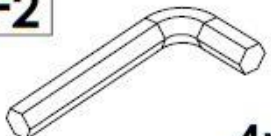


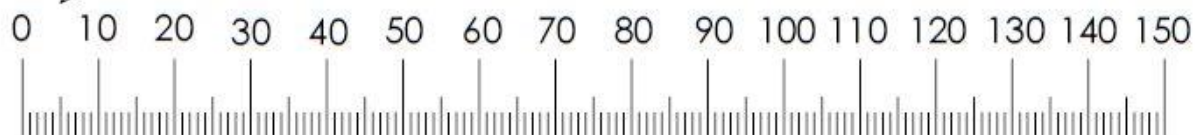
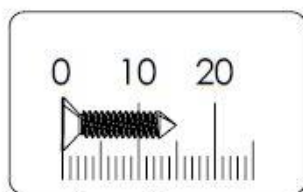
# Postel DENIS - šuplík



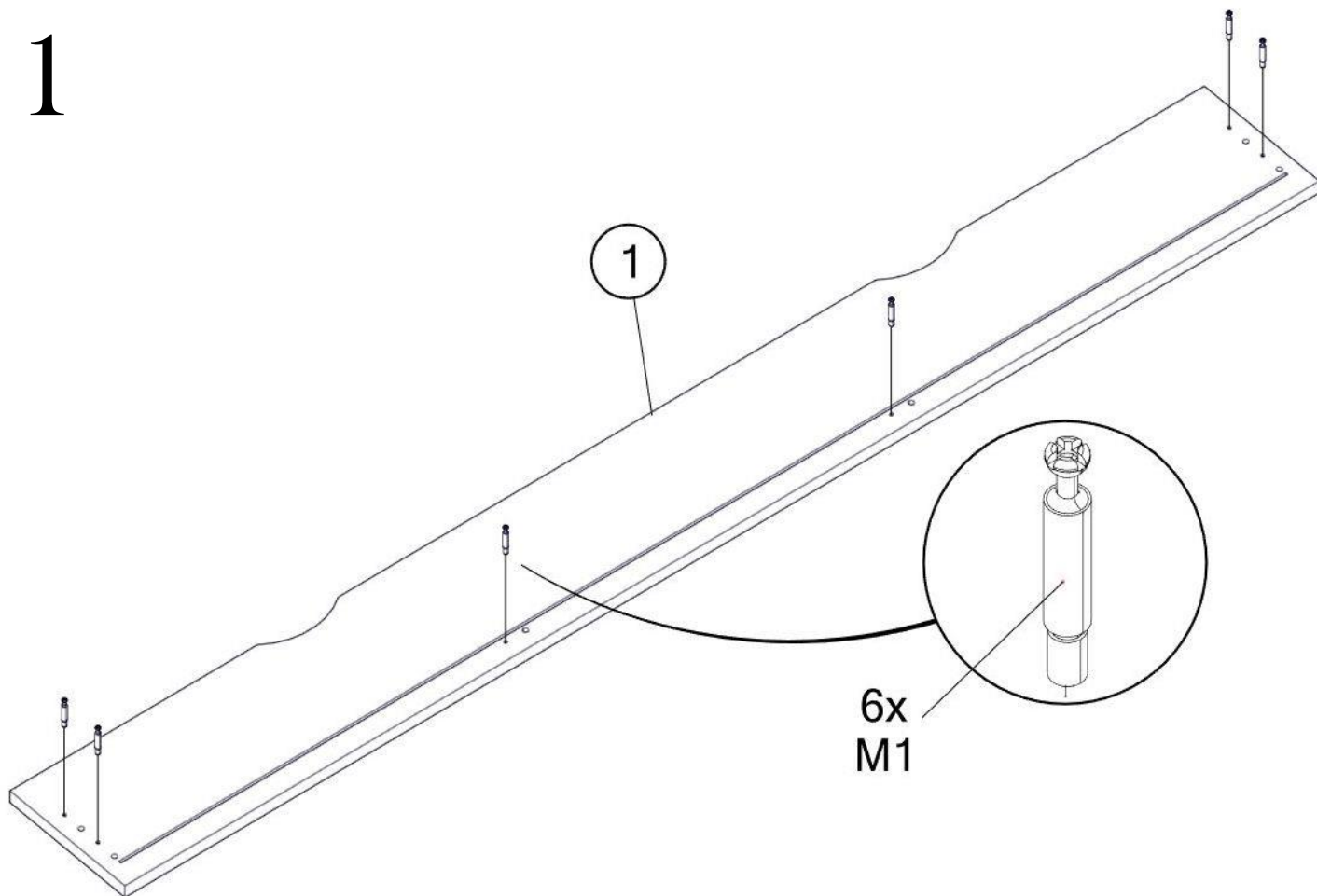


1	x1	JAN PLUS/OLIWIER 1932x220x20 DENIS 1974X185X20		
2	x1	650	150	16
3	x1	650	150	16
4	x1	1868	150	16
5	x2	632	80	16
6	x3	627	646	3

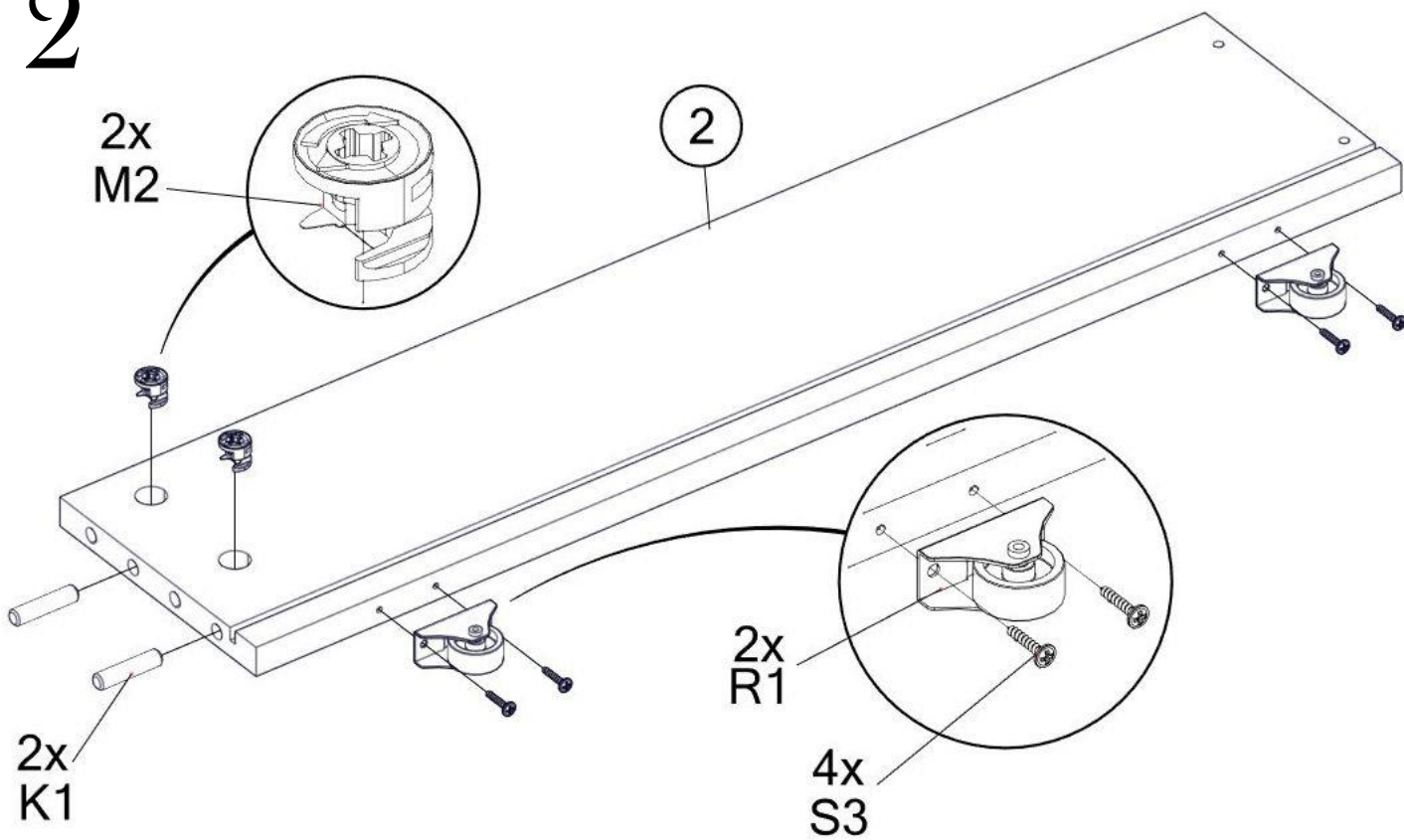
<b>K1</b>  $\phi 8 \times 35$ <b>x6</b>	<b>S3</b>  $\phi 3,5 \times 16$ <b>x8</b>	<b>S6</b>  $\phi 3,5 \times 35$ <b>x4</b>
<b>C5</b>  $\phi 7 \times 50$ <b>x4</b>	<b>E5</b>  $\phi 1,2 \times 16$ <b>x8</b>	<b>M2</b>  $\phi 15$ <b>x6</b>
<b>M1</b>  <b>x6</b>	<b>R1</b>  $\phi 30$ <b>x4</b>	<b>F2</b>  <b>4mm</b> <b>x1</b>



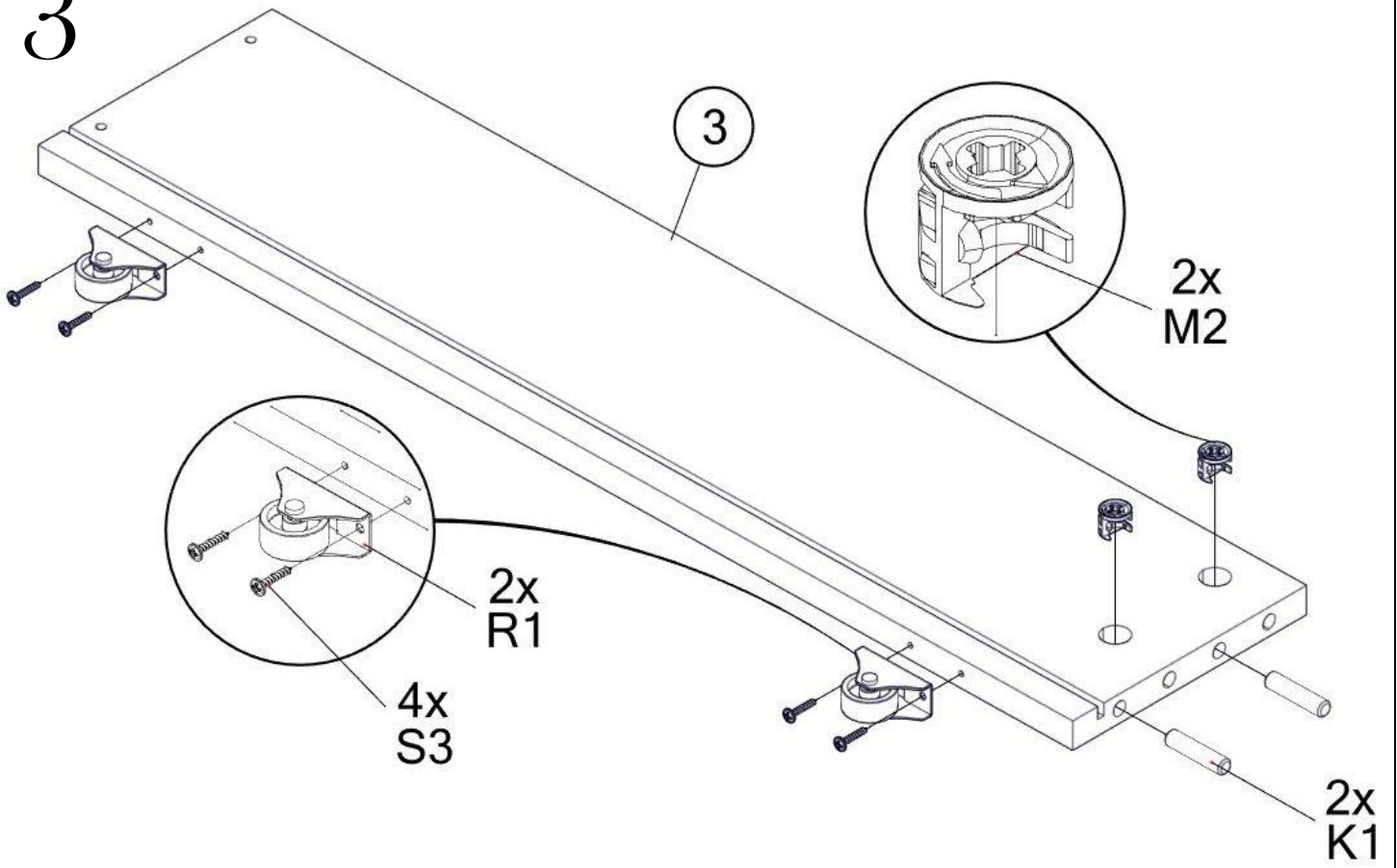
# 1



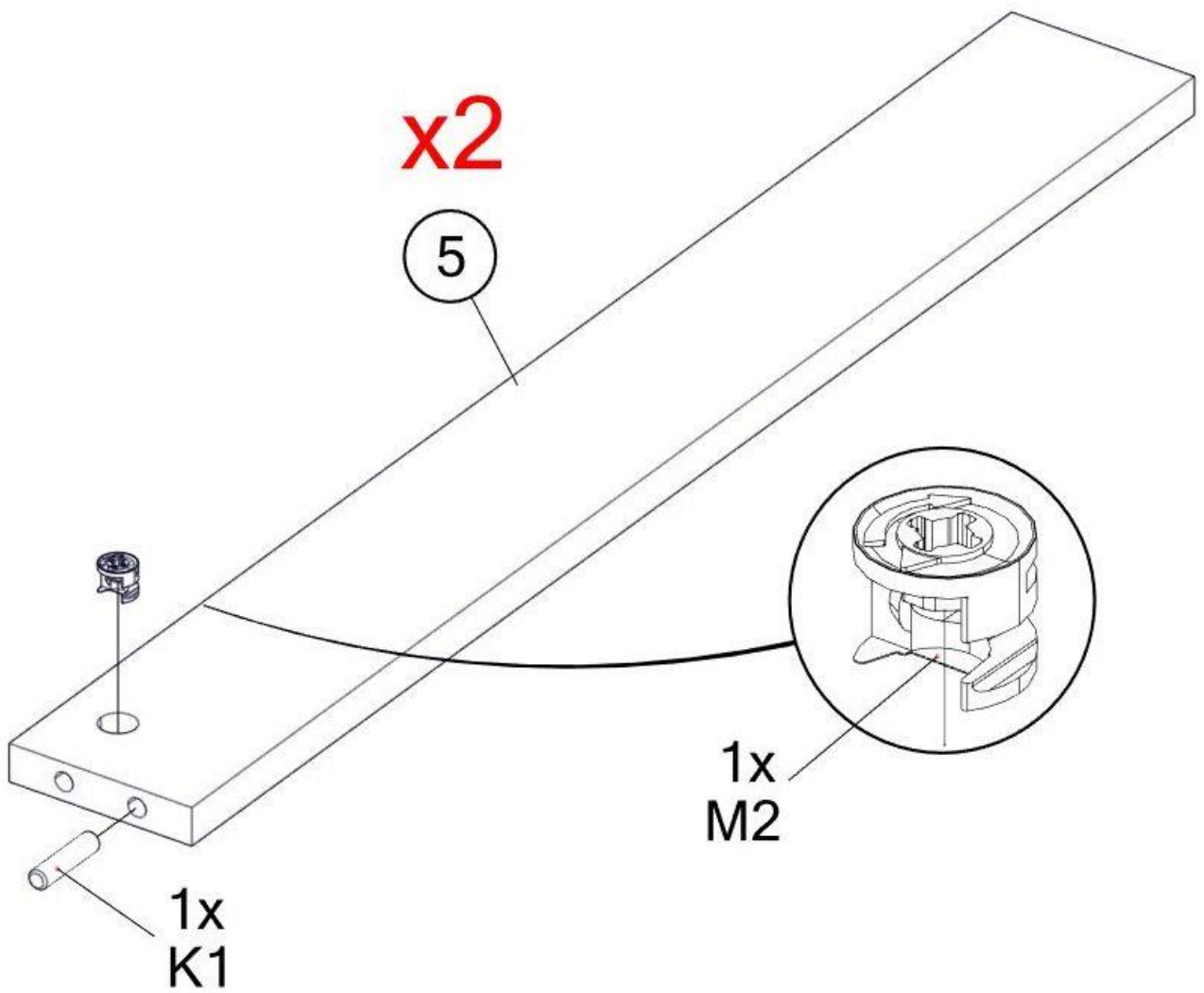
# 2



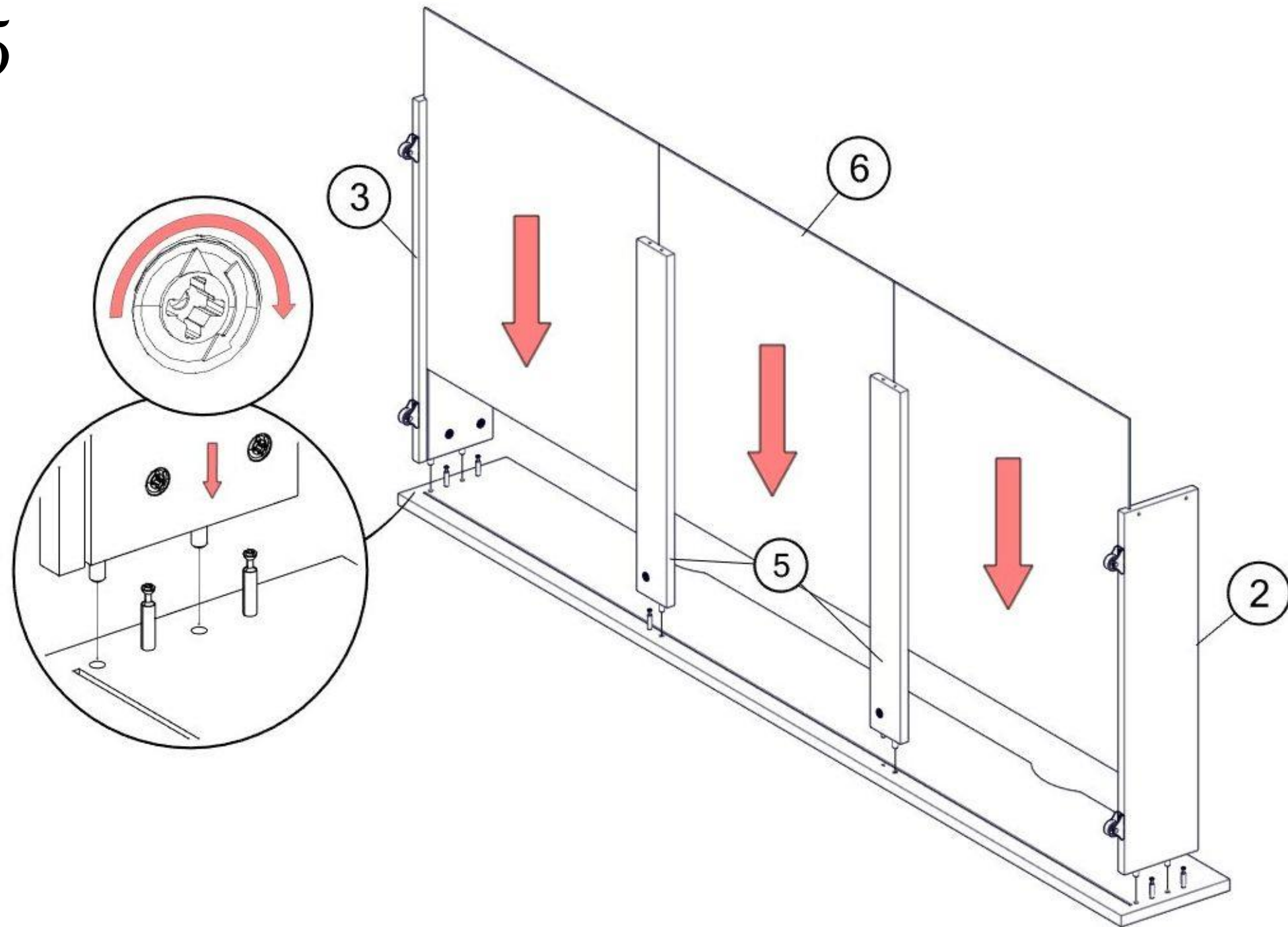
3



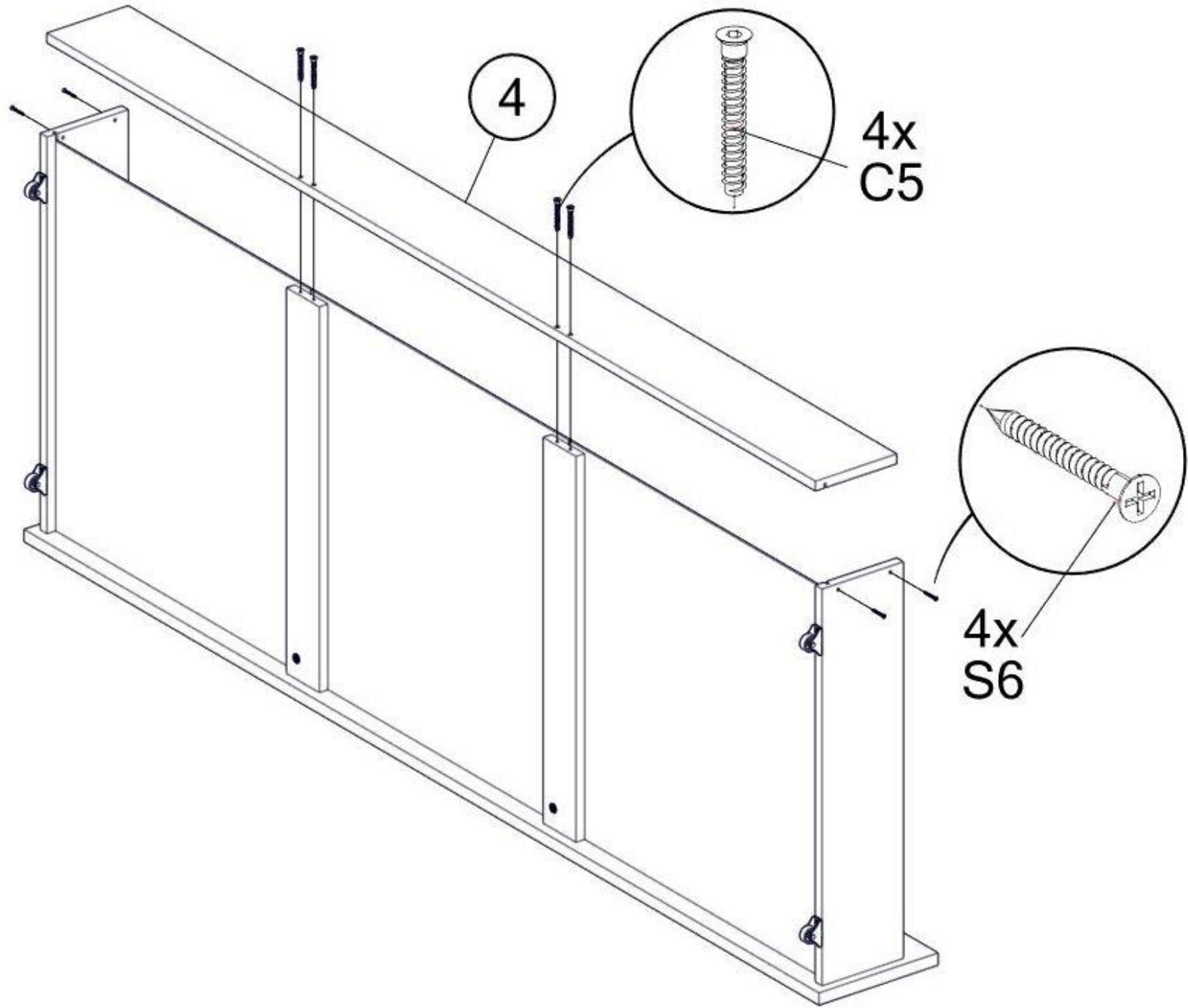
4



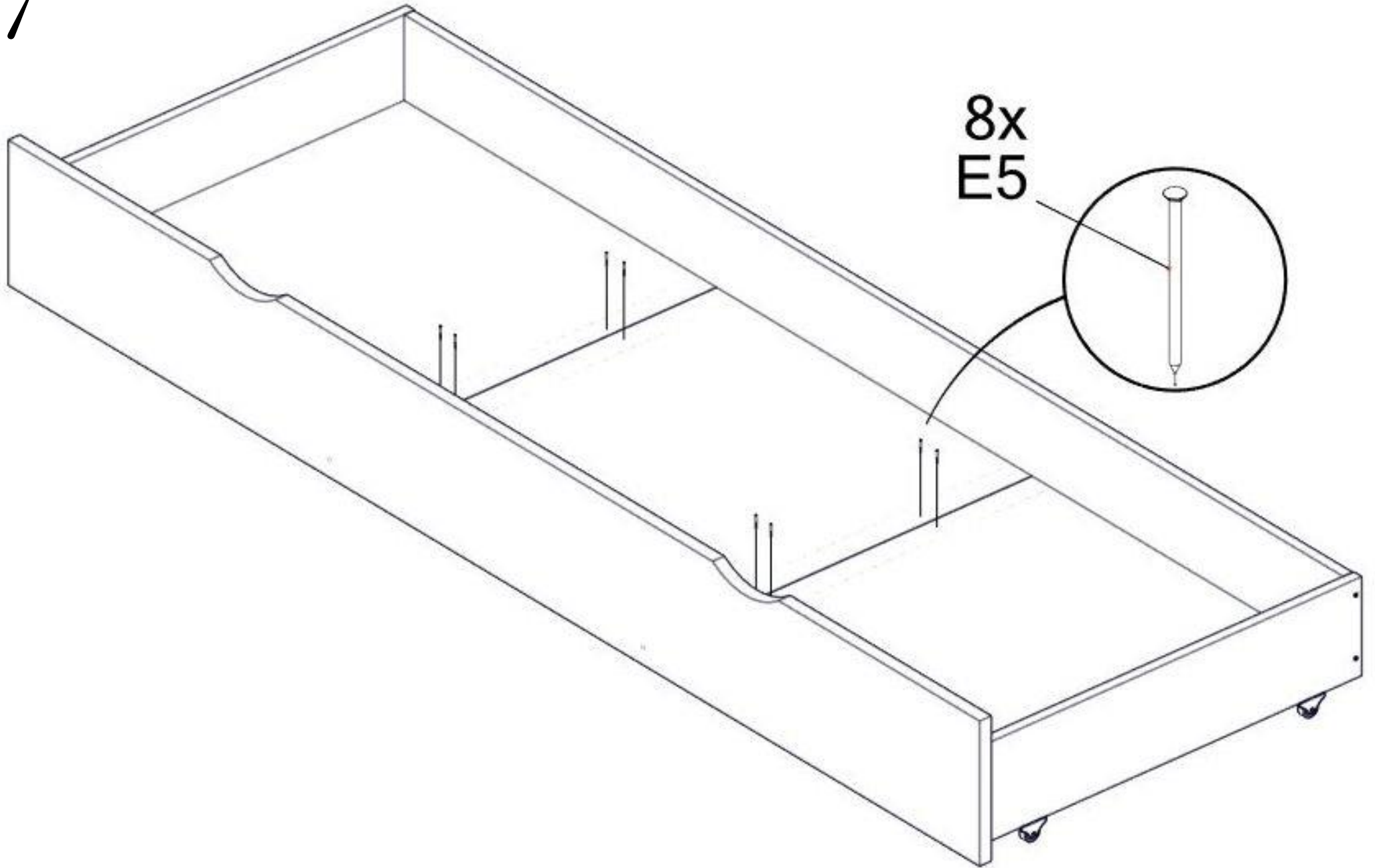
5



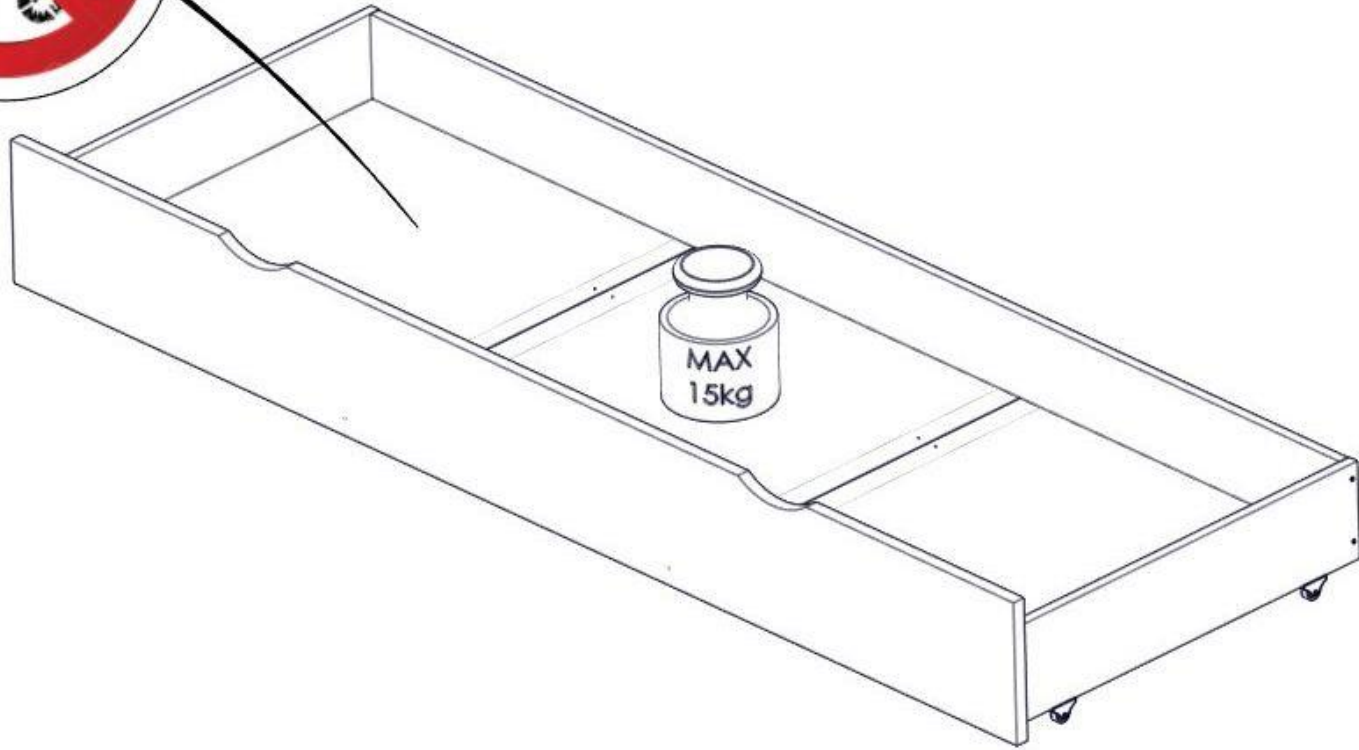
6



7







MAX  
15kg

